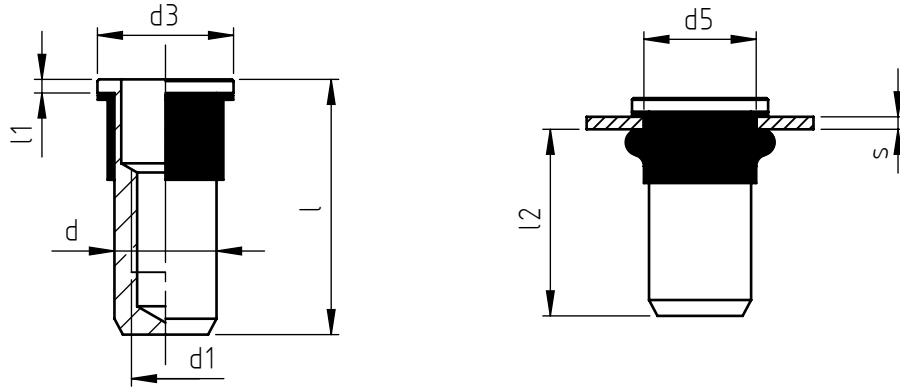


Application: metal and not metal sheet.
Assembly: with special hand or pneumatic tools.



code	s grip	l	d1 6H	d	d3	l1	d5 +0,15 0	l2 *
9204A/M 5/X.W	0,5 ÷ 1,5	18	M 5	7	10	1,7	8,2	12,5
9204B/M 5/X.W	2,0 ÷ 3,0	20						
9204A/M 6/X.W	0,5 ÷ 2,0	22,5	M 6	9	12	1,8	10,0	16
9204B/M 6/X.W	2,5 ÷ 4,0	25						
9204A/M 8/X.W	0,5 ÷ 2,5	25	M 8	11	14	2,0	12,1	17,5
9204B/M 8/X.W	3,0 ÷ 5,0	27,5						

Non binding dimensions, expressed in mm.

* Dimension determined from the average of the grip "s" min and max values.

Standard On demand

IP 68 GUARANTEED INSERT if installed according to Specialinsert® specification.
Insert subjected to tests in accordance with CEI EN 60529:1997 + A1:2000 + A2:2014 + EC:2017 + A2/EC:2019 standards.

Tests carried out by TUV Italia Srl - TUV SUD group, as reported on test report no.1926795.
It is advisable to carry out assembly tests to verify the suitability of the insert for sheet thickness and installation seat dimensions.

Material: steel inox nr.14305
Sheath material: cross-linked polyolefin
Finishing: natural
Tolerances: according to UNI standards EN 22768-1
Thread: ISO 6 H metric
Example: blind threaded nut, cylindrical head, round close-end shank, stainless steel, grip 2,0 mm, M 6 thread: 9204A/M 6/X.W

