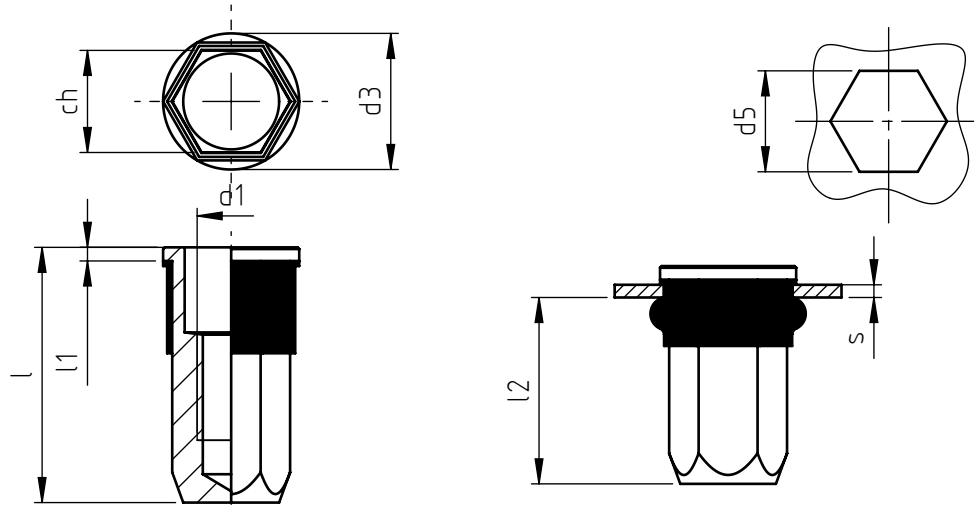


Application: metal and not metal sheets.
Assembly: with special hand or pneumatic tools.

Type 1



coce	s grip	l	d1 6H	ch	d3	l1	d5 +0,15 0	l2 *
10446A1/M 5/X.W	0,5 ÷ 1,5	18	M 5	7	10	1,5	8,3	12,5
10446B1/M 5/X.W	2,0 ÷ 3,0	20						
10446A1/M 6/X.W	0,5 ÷ 2,0	22,5	M 6	9	12	1,7	10,0	16
10446B1/M 6/X.W	2,5 ÷ 4,0	25						
10446A1/M 8/X.W	0,5 ÷ 2,5	25	M 8	11	14	1,9	12,0	17,5
10446B1/M 8/X.W	3,0 ÷ 5,0	27,5						

Non binding dimensions, expressed in mm.

* Dimension determined from the average of the grip "s" min and max values.



Standard

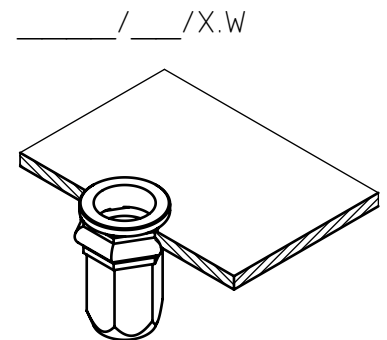


On demand

IP 68 GUARANTEED INSERT if installed according to Specialinsert® specification.
Insert subjected to tests in accordance with CEI EN 60529:1997 + A1:2000 +
A2:2014 + EC:2017 + A2/EC:2019 standards.

Tests carried out by TUV Italia Srl - TUV SUD group, as reported on test report no.1926795.
It is advisable to carry out assembly tests to verify the suitability of the insert
for sheet thickness and installation seat dimensions.

Material: steel inox nr.1.4305
Sheath material: cross-linked polyolefin
Finishing: natural
Tolerances: according to UNI standards EN 22768-1
Thread: ISO 6 H metric
Example: blind threaded nut, cylindrical head,
hexagonal close-end shank, stainless steel,
grip 2,0 mm, M 6 thread: 10446A1/M 6/X.W



SPECIALINSERT® COMMITS ITSELF TO CONTINUOUSLY IMPROVE ITS PRODUCTS. IT RESERVES THE RIGHT TO CHANGE THEIR TECHNICAL AND STRUCTURAL CHARACTERISTICS WITHOUT PRIOR NOTICE. ALL RIGHTS ARE RESERVED AND THE DUPLICATION, EVEN PARTIAL, OF THESE DOCUMENTS, AS WELL AS ITS DISTRIBUTION TO THIRD PARTIES, ARE FORBIDDEN, UNLESS OTHERWISE AND EXPRESSLY AUTHORIZED BY SPECIALINSERT.