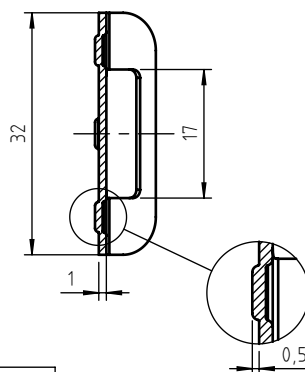
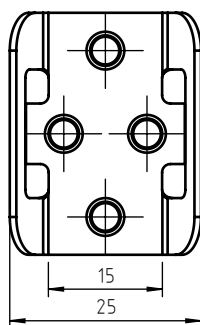
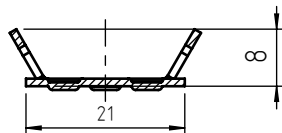


Application: fiberglass, composite materials and others.
Assembly: bonding



PFRY08R3221004.51

Dimensions are indicative and not binding, expressed in mm.

Other details and materials on request.



Standard

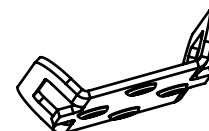


On demand

Material: stainless steel AISI 316 _____ .51

Finishing: stainless steel AISI 316: natural state

Tolerance: where not specified, coarse degree of accuracy,
according to ISO 2768-m



Headquarter and Export department:
Via Monfalcone 144 - 10136 - Turin - IT - Tel. +39.011.700301 - Fax +39.011.702947
Milan branch:
Via E. Cialdini 37 - 20161 - Milan - IT - Tel. +39.02.646.8476 - Fax +39.02.662.00275
Production and purchase departments:
Via E. Pavanello 1 - 30030 - Maerne di Martellago (Venice) - IT - Tel. +39.041.503.0100
Fax +39.041.503.0110