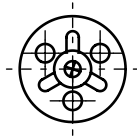
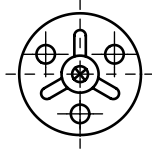


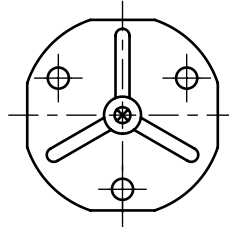
Application: fiberglass, composite materials and other.
Assembly: bonding, lamination, moulding.



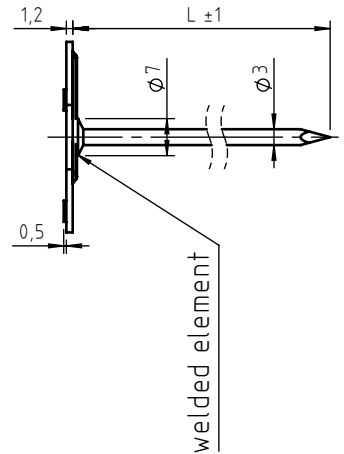
Y2000= \varnothing 20



Y2300= \varnothing 23



Y3800= \varnothing 38



code	L= nail lenght					
	50	60	70	80	90	100
CRY_Y2000030_						
CRY_Y2300030_						
CRY_Y3800030_						

Non binding dimensions, expressed in mm.

Other details and materials on demand.



Standard



On demand



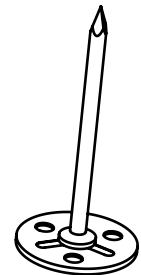
Not manufactured

Material: stainless steel AISI 316 _____ .56

Finishing: electropolished AISI 316 stainless steel nail

Tolerance: where not specified, coarse degree of accuracy,
according to ISO 2768-m

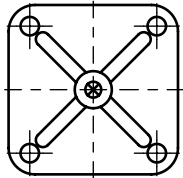
Example of designation: nail with round plate Y2300, lenght 70 mm,
stainless steel AISI 316:



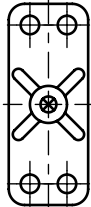
CRY70Y2300030.56

Headquarter and Export department:
Via Monfalcone 144 - 10136 - Turin - IT - Tel. +39.011.700301 - Fax +39.011.702947
Milan branch:
Via E. Cialdini 37 - 20161 - Milan - IT - Tel. +39.02.646.8476 - Fax +39.02.662.00275
Production and purchase departments:
Via E. Pavanello 1 - 30030 - Maerne di Martellago (Venice) - IT - Tel. +39.041.503.0100
Fax +39.041.503.0110

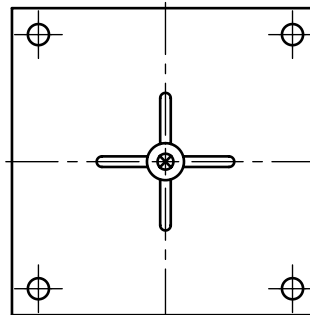
Application: fiberglass, composite materials and other.
Assembly: bonding, lamination, moulding.



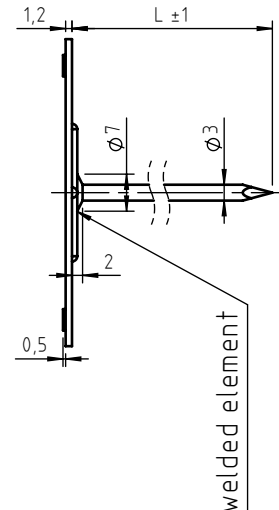
Y3232=32x32



Y3815=38x15



Y5858=58x58



code	L= nail length					
	50	60	70	80	90	100
CRY_Y3232030_						
CRY_Y3815030_						
CRY_Y5858030_						

Non binding dimensions, expressed in mm.

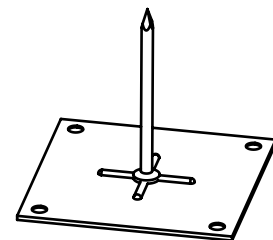
Other details and materials on demand.

Standard
 On demand
 -- Not manufactured

Material: stainless steel AISI 316_____56
Finishing: electropolished AISI 316 stainless steel nail

Tolerance: where not specified, coarse degree of accuracy, according to ISO 2768-m

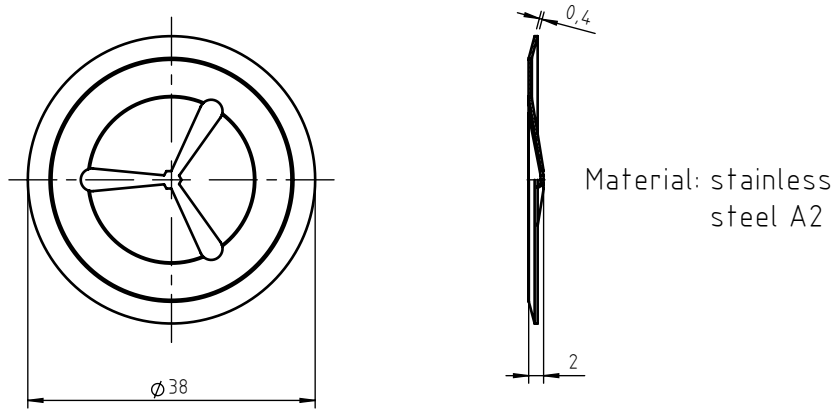
Example of designation: nail with square plate Y5858, length 70 mm, stainless steel AISI 316:



CRY70Y2300030.56

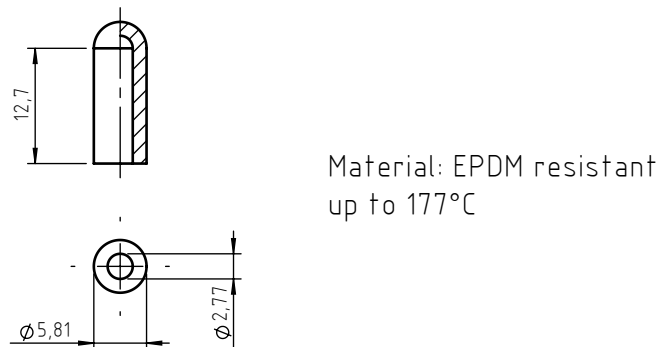
FAD03T38.50

Application: spring clips

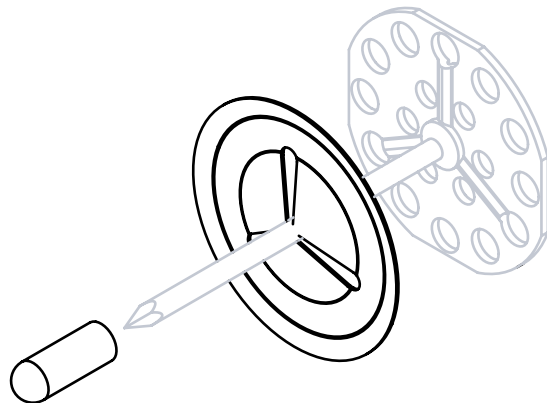


MP-EE109-500

Application: caps for nails



Non binding dimensions, expressed in mm.



Headquarter and Export department:
Via Monfalcone 144 - 10136 - Turin - IT - Tel. +39.011.700301 - Fax +39.011.702947
Milan branch:
Via E. Cialdini 37 - 20161 - Milan - IT - Tel. +39.02.646.8476 - Fax +39.02.662.00275
Production and purchase departments:
Via E. Pavanello 1 - 30030 - Maerne di Martellago (Venice) - IT - Tel. +39.041.503.0100
Fax +39.041.503.0110