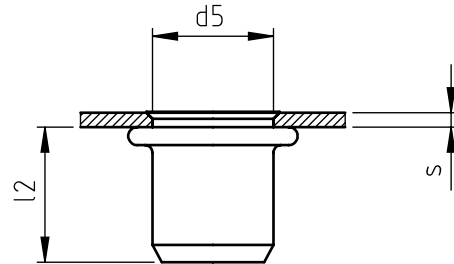
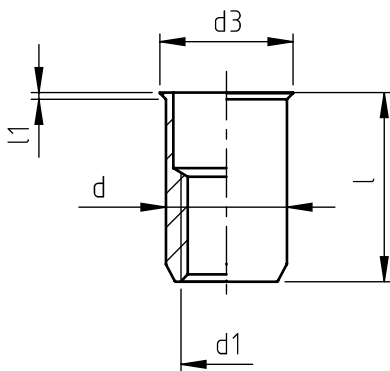


Application: metal and not metal sheets.
Assembly: with special hand or pneumatic tools.



code	s grip thickness	l	d1 6H	d	d3	l1 ~	d5 0,15 0	l2 *
TFM M12/8S	0,5 ÷ 3,5	25	M12	16	17,6	0,9	16	17
TFM/L M12/8S	3,5 ÷ 6,5	28						

Non binding dimensions, expressed in mm.

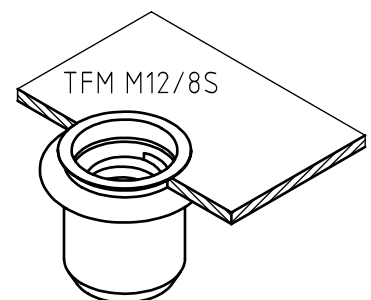
* Dimension determined from the average of the grip "s" min and max values.

Standard

On demand

Not manufactured

Material: steel nr.1.0303
Finishing: white zinc-plated
Tolerances: according to UNI standards EN 22768-1
Thread: ISO 6 H metric
Example: blind threaded nut, low profile head
round shank, steel, grip 2,0 mm,
M 12 thread:
TFM M12/8S



SPECIALINSERT - COMMITS ITSELF TO CONTINUOUSLY IMPROVE ITS PRODUCTS - IT RESERVES THE RIGHT TO CHANGE THEIR TECHNICAL AND STRUCTURAL CHARACTERISTICS WITHOUT PRIOR NOTICE - ALL RIGHTS ARE RESERVED AND THE DUPLICATE, EVEN PARTIAL OF THESE DOCUMENTS, AS WELL AS ITS DISTRIBUTION TO THIRD PARTIES ARE FORBIDDEN, UNLESS OTHERWISE AND EXPRESSLY AUTHORIZED BY SPECIALINSERT.