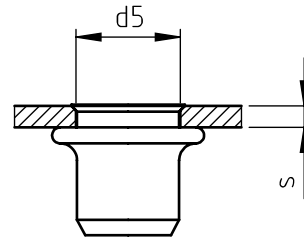
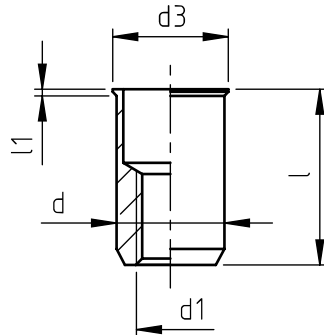


Application: metal and not metal sheet.  
Assembly: with special hand or pneumatic tools.



code	s grip	l	d1	d	d3	l1	d5 +0,15 0
TFM M 4/K	0,5 ÷ 2,0	11,0	M 4	6,0	6,5	0,5	6,0
TFM M 5/K	0,5 ÷ 3,0	12,0	M 5	7,0	7,5	0,5	7,0
TFM M 6/K	0,5 ÷ 3,0	14,5	M 6	9,0	9,5	0,5	9,0
TFM M 8/K	0,5 ÷ 3,0	16,0	M 8	11,0	11,5	0,5	11,0
TFM M10/K	0,8 ÷ 3,5	21,0	M10	13,0	13,5	0,7	13,0

Non binding dimensions, expressed in mm.



Standard



On demand

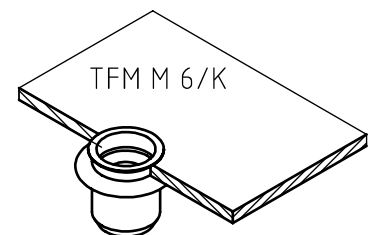


Not manufactured

Material: stainless steel AISI 316

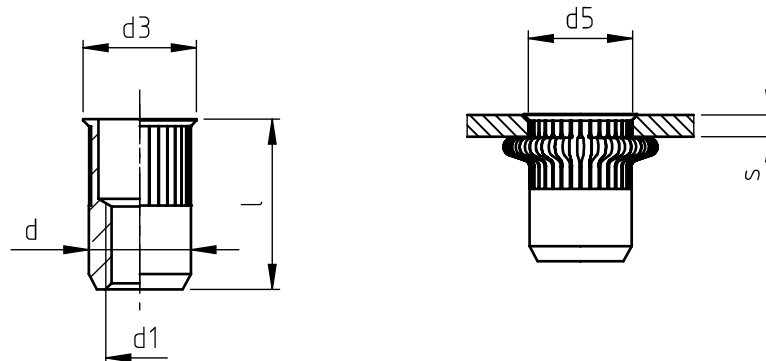
Finishing: natural

Example: blind threaded nut, low profile head,  
round shank, stainless steel 316,  
grip 2,0 mm, M 6 thread:  
TFM M 6/K



SPECIALINSERT - COMMITS ITSELF TO CONTINUOUSLY IMPROVE ITS PRODUCTS - IT RESERVES THE RIGHT TO CHANGE THEIR TECHNICAL AND STRUCTURAL CHARACTERISTICS WITHOUT PRIOR NOTICE - ALL RIGHTS ARE RESERVED AND THE DUPLICATE, EVEN PARTIAL OF THESE DOCUMENTS, AS WELL AS ITS DISTRIBUTION TO THIRD PARTIES, ARE FORBIDDEN, UNLESS OTHERWISE AND EXPRESSLY AUTHORIZED BY SPECIALINSERT.

Application: metal and not metal sheets.  
Assembly: with special hand or pneumatic tools.



code	s grip	l	d1	d	d3	l1	d5 +0,15 0
TFM M 4/KZ	0,5 ÷ 2,0	11,0	M 4	6,0	6,5	0,5	6,0
TFM M 5/KZ	0,5 ÷ 3,0	12,0	M 5	7,0	7,5	0,5	7,0
TFM M 6/KZ	0,5 ÷ 3,0	14,5	M 6	9,0	9,5	0,5	9,0
TFM M 8/KZ	0,5 ÷ 3,0	16,0	M 8	11,0	11,5	0,5	11,0
TFM M10/KZ	0,8 ÷ 3,5	21,0	M10	13,0	13,5	0,7	13,0

Non binding dimensions, expressed in mm.

Standard
  On demand
  Not manufactured

Material: stainless steel AISI 316

Finishing: natural

Example: blind threaded nut, low profile head,  
round knurled shank, stainless steel 316,  
grip 2,0 mm, M 6 thread:  
TFM M 6/KZ

