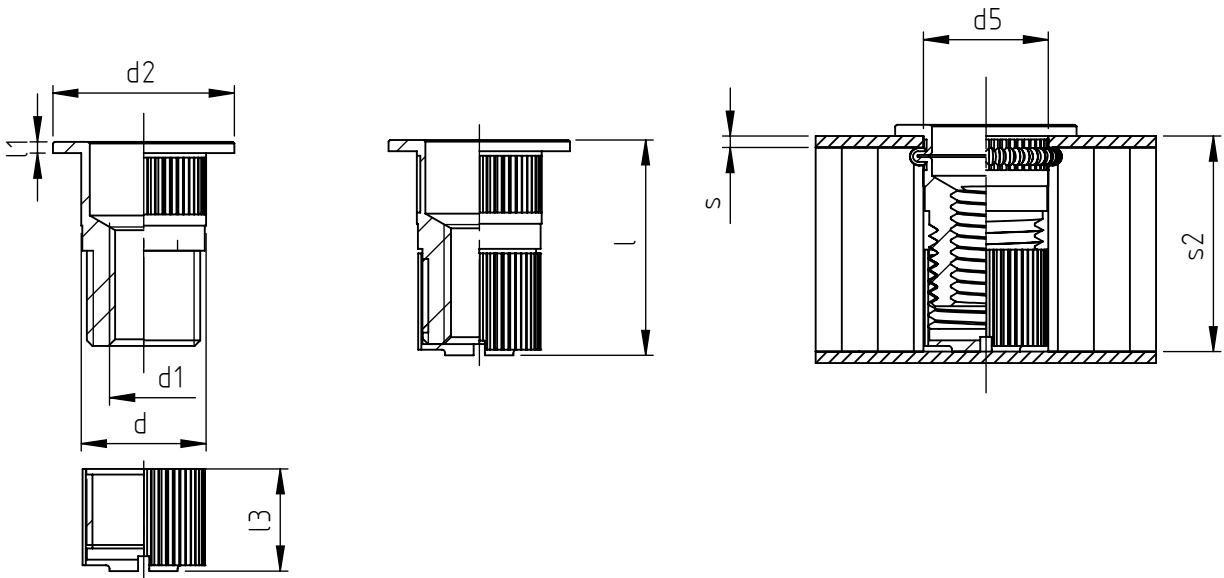


Applications: on sandwich panel.
Assembly: by manual or pneumatic tools.



code	s skin thickness	l	l3	d1 6H	d	d2	l1	d5 +0,15 0	s2 (Max)
TC/SC M 6/20/XZ	0,5 ÷ 2,0	19	9	M 6	11	16	1	11	19
TC/SC M 6/26/XZ	0,5 ÷ 2,0	25	15,4						26

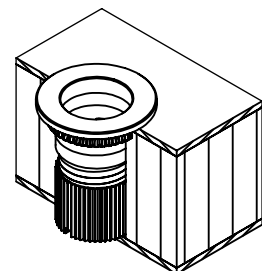
Non binding dimensions, expressed in mm.

Specialinsert is capable to provide item with different shape, thread and material.

Standard
 On demand
 Not manufactured

Material: stainless steel
 Finishing: natural
 Tolerances: where not specified, degree of accuracy (coarse) according to ISO 2768 - m
 Thread: metric ISO 6 H.
 Example: blind threaded tubular insert for sandwich panel, grip 20 mm, thickness 1,5 mm, M6 thread, stainless steel:

TC/SC M 6/20/XZ



TC/SC M 6/20/XZ

Headquarter and Export department:
 Via Montfalcone 144 - 10136 - Torino - IT - Tel. +39.011.700301 - Fax +39.011.702947
 Milan branch:
 Via E. Cialdini 37 - 20126 - Milano - IT - Tel. +39.02.646.8476 - Fax +39.02.662.00275
 Production and purchase departments:
 Via E. Pavanello 1 - 30030 - Maerne di Martellago (Venezia) - IT - Tel. +39.041.503.0100
 Fax +39.041.503.0110