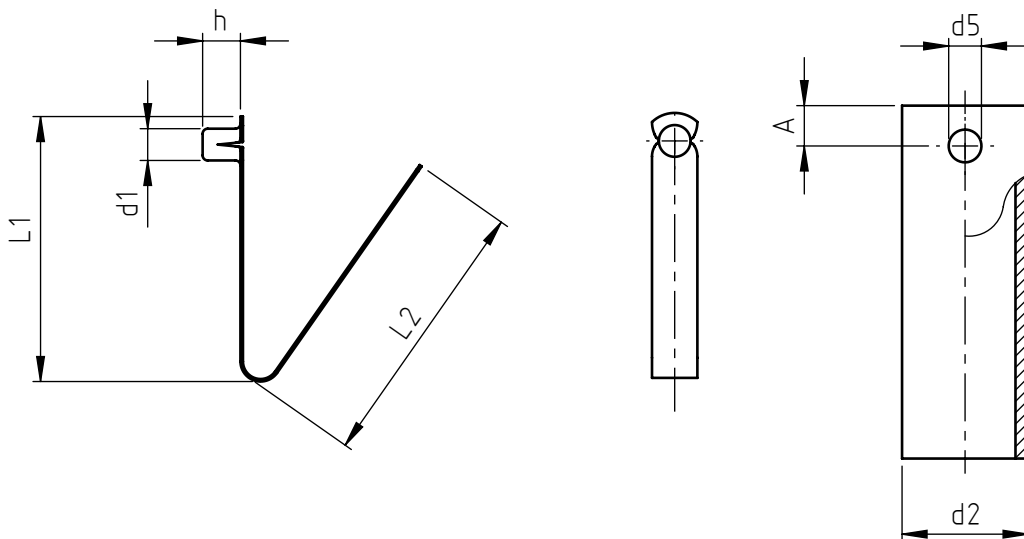


Application: adjustment of telescopic tubes.
Assembly: by pressure.



code	d2 inner tube external diameter	d1 button diameter	h button height	L1 length of button leg	L2 length of spring leg	d5 tube hole diameter	A hole distance from pipe edge (min.)
QS01/19	19	5,8	8	34	34	6,5	9
QS02/22	22	6,3	8	45,5	44	7,0	10
QS02/25	25	6,3	8	44,5	44,5	7,0	10
QS03/32	32	7,5	10	48,4	50	8,0	11
QS04/32	32	8,0	10	49	49	8,5	11

Non binding dimensions, expressed in mm.

Standard
 On demand

Material: steel

Finishing: surface protection treatment

