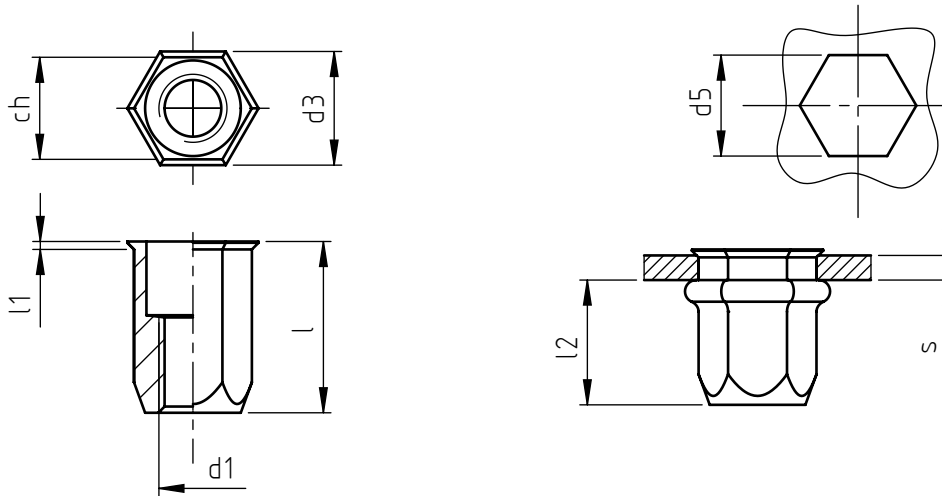


Application: metal and not metal sheets.
Assembly: with special hand or pneumatic tools.



steel	stainless steel	s grip	l	d 1 6 H	ch	d 3	l 1 ~	d 5 +0,15 0	l 2 *
E TFM/C M 5	--	0,5 ÷ 2,0	9,5	M 5	7	8	0,6	7	5,5
E TFM/C M 6	E TFM/C M 6/X	0,5 ÷ 2,0	12,0	M 6	9	10	0,6	9	7,5
E TFM/CC M 6	--	0,5 ÷ 1,5	9,5	M 6	9	10	0,5	9	6,3
E TFM/C M 8	E TFM/C M 8/X	0,5 ÷ 2,0	13,0	M 8	11	12	0,7	11	8

Non binding dimensions, expressed in mm.

* Dimension determined from the average of the grip "s" min and max values.

Standard

On demand

Not manufactured

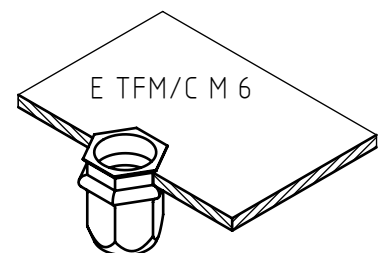
Material: steel nr.1.0303
 stainless steel nr. 1.4567 /X

Finishing: steel: white zinc-plated
 stainless: natural

Tolerances: according to UNI standards EN 22768-1

Thread: ISO 6 H metric

Example: blind threaded nut, low profile head,
 hexagonal shank, stainless steel,
 grip 1,5 mm, M 6 thread:
 E TFM/C M 6



SPECIALINSERT COMMITS ITSELF TO CONTINUOUSLY IMPROVE ITS PRODUCTS. IT RESERVES THE RIGHT TO CHANGE THEIR TECHNICAL AND STRUCTURAL CHARACTERISTICS WITHOUT PRIOR NOTICE. ALL RIGHTS ARE RESERVED AND THE DUPLICATION, EVEN PARTIAL, OF THESE DOCUMENTS, AS WELL AS ITS DISTRIBUTION TO THIRD PARTIES, ARE FORBIDDEN, UNLESS OTHERWISE AND EXPRESSLY AUTHORIZED BY SPECIALINSERT.