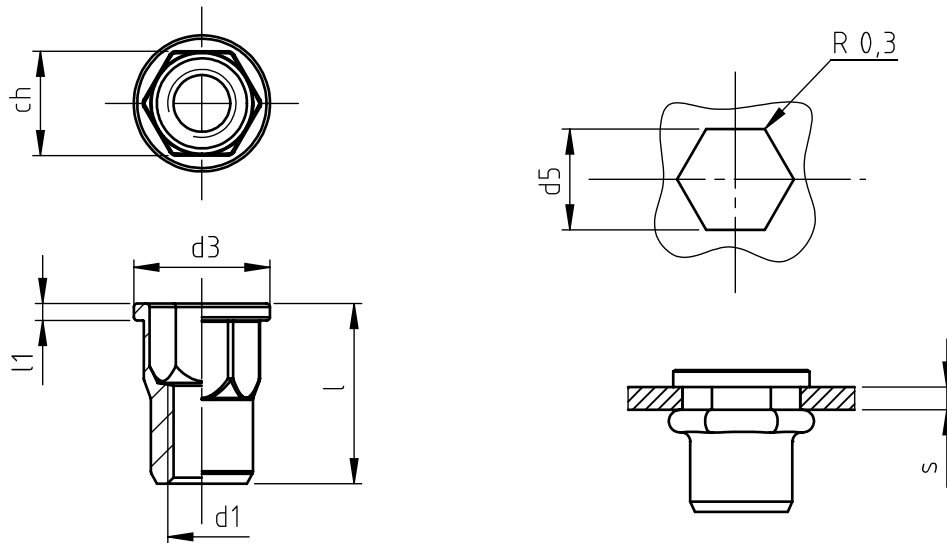


Application: metal and not metal sheets.
Assembly: with special hand or pneumatic tools.



code	s grip	l	d1	ch	d3	l1	d5 +0,15 0
E TC M 4/K	0,5 ÷ 2,0	12,0	M 4	6,0	9,0	1,0	6,0
E TC M 5/K	0,5 ÷ 3,0	12,5	M 5	7,0	10,0	1,0	7,0
E TC M 6/K	0,5 ÷ 3,0	16,0	M 6	9,0	12,0	1,5	9,0
E TC M 8/K	0,5 ÷ 3,0	17,5	M 8	11,0	15,0	1,5	11,0

Non binding dimensions, expressed in mm.

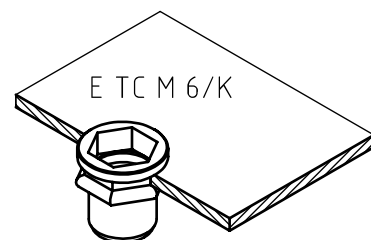
Standard
 On demand
 Not manufactured

Material: stainless steel AISI 316

Finishing: natural

Example: blind threaded nut, cylindrical head,
semi-hexagonal shank,
stainless steel 316
grip 2,0 mm, M 6 thread:

E TC M 6/K



SPECIALINSERT - COMMITS ITSELF TO CONTINUOUSLY IMPROVE ITS PRODUCTS - IT RESERVES THE RIGHT TO CHANGE THEIR TECHNICAL AND STRUCTURAL CHARACTERISTICS WITHOUT PRIOR NOTICE - ALL RIGHTS ARE RESERVED AND THE DUPLICATION, EVEN PARTIAL OF THESE DOCUMENTS, AS WELL AS ITS DISTRIBUTION TO THIRD PARTIES ARE FORBIDDEN, UNLESS OTHERWISE AND EXPRESSLY AUTHORIZED BY SPECIALINSERT.