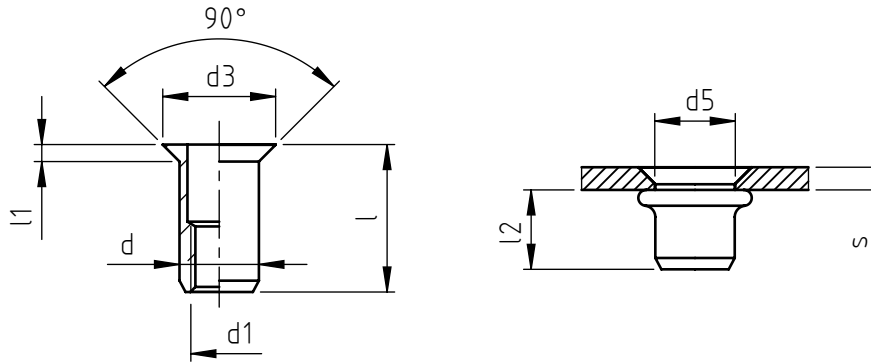


Application: metal and not metal sheets.  
Assembly: with special hand or pneumatic tools.



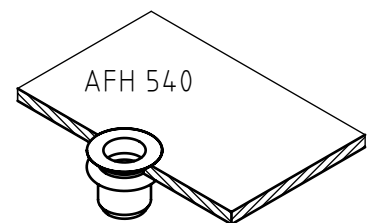
code	s grip	l	d1 6H	d	d3	l1	d5 +0,15 0	l2 *
AFH 435	1,6 ÷ 3,5	11	M 4	6	9	1,5	6	6
AFH 450	3,5 ÷ 5,0	13						
AFH 540	1,6 ÷ 4,0	13	M 5	7	10	1,5	7	7
AFH 560	4,0 ÷ 6,0	15						
AFH 640	1,6 ÷ 4,0	15	M 6	9	12	1,5	9	8,8
AFH 660	4,0 ÷ 6,0	17						
AFH 840	1,6 ÷ 4,0	16,5	M 8	11	14	1,5	11	10
AFH 860	4,0 ÷ 6,0	19						

Non binding dimensions, expressed in mm.

\* Dimension determined from the average of the grip "s" min and max values.

Standard
  On demand
  Not manufactured

Material: light alloy  
 Finishing: natural  
 Tolerances: according to UNI standards EN 22768-1  
 Thread: ISO 6 H metric  
 Example: blind threaded nut, countersunk head, round shank, light alloy, grip 2,0 mm, M 5 thread:  
 AFH 540



SPECIALINSERT - COMMITS ITSELF TO CONTINUOUSLY IMPROVE ITS PRODUCTS - IT RESERVES THE RIGHT TO CHANGE THEIR TECHNICAL AND STRUCTURAL CHARACTERISTICS WITHOUT PRIOR NOTICE - ALL RIGHTS ARE RESERVED AND THE DUPLICATION, EVEN PARTIAL OF THESE DOCUMENTS, AS WELL AS ITS DISTRIBUTION TO THIRD PARTIES ARE FORBIDDEN, UNLESS OTHERWISE AND EXPRESSLY AUTHORIZED BY SPECIALINSERT.