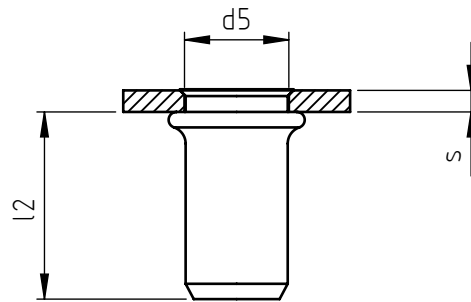
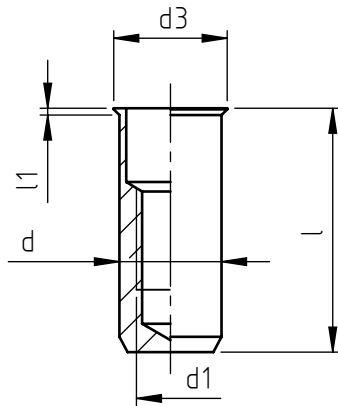


Application: metal and not metal sheets.  
Assembly: with special hand or pneumatic tools.



code	steel	steel	stainless steel	stainless steel	s grip	l	d1 6H	d	d3	l1 ~	d5 +0,15 0	l2 *
9206A/M 3/___	8	8S	X	--	0,5 ÷ 2,0	12,5	M 3	5	5,5	0,35	5	9,5
9206B/M 3/___	8	8S	X	--	2,0 ÷ 3,5	14						
9206A/M 4/___	8	8S	X	XS	0,5 ÷ 2,0	14,5	M 4	6	6,75	0,5	6	11
9206B/M 4/___	8	8S	X	XS	2,0 ÷ 4,0	16,5						
9206A/M 5/___	8	8S	X	XS	0,5 ÷ 2,5	17,5	M 5	7	8	0,6	7	12,5
9206B/M 5/___	8	8S	X	XS	2,5 ÷ 4,5	19,5						
9206A/M 6/___	8	8S	X	XS	0,5 ÷ 3,0	21,5	M 6	9	10	0,6	9	16
9206B/M 6/___	8	8S	X	XS	3,0 ÷ 5,5	24						
9206A/M 8/___	8	8S	X	XS	0,5 ÷ 3,5	24	M 8	11	12	0,6	11	17,5
9206B/M 8/___	8	8S	X	XS	3,5 ÷ 6,0	26,5						
9206A/M10/___	8	8S	X	XS	0,5 ÷ 3,5	29	M10	13	14,5	0,85	13	21,5
9206B/M10/___	8	8S	X	XS	3,5 ÷ 6,0	31,5						
9206A/M12/___	8	--	X	--	0,5 ÷ 3,5	34,5	M12	15	16,5	0,85	15	27,5
9206B/M12/___	8	--	X	--	3,5 ÷ 6,5	37,5						

Non binding dimensions, expressed in mm.

\* Dimension determined from the average of the grip "s" min and max values.

Standard     
  On demand     
  -- Not manufactured

Ref. UNI 9206 standard

Material: steel nr.1.0718  
steel nr.1.0303  
stainless steel nr.1.4305  
stainless steel nr.1.4567

\_\_\_/\_\_\_/8  
\_\_\_/\_\_\_/8S  
\_\_\_/\_\_\_/X  
\_\_\_/\_\_\_/XS

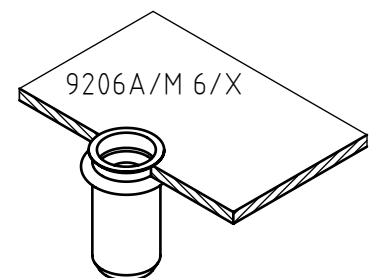
Finishing: steel: white zinc-plated  
stainless steel: natural

Tolerances: according to UNI standards EN 22768-1

Thread: ISO 6 H metric

Example: blind threaded nut, low profile head,  
round close-end shank, stainless steel,  
grip 2,0 mm, M 6 thread:

9206A/M 6/X



SPECIALINSERT - COMMITS ITSELF TO CONTINUOUSLY IMPROVE ITS PRODUCTS - IT RESERVES THE RIGHT TO CHANGE THEIR TECHNICAL AND STRUCTURAL CHARACTERISTICS WITHOUT PRIOR NOTICE - ALL RIGHTS ARE RESERVED AND THE DUPLICATION, EVEN PARTIAL, OF THESE DOCUMENTS, AS WELL AS ITS DISTRIBUTION TO THIRD PARTIES ARE FORBIDDEN, UNLESS OTHERWISE AND EXPRESSLY AUTHORIZED BY SPECIALINSERT.