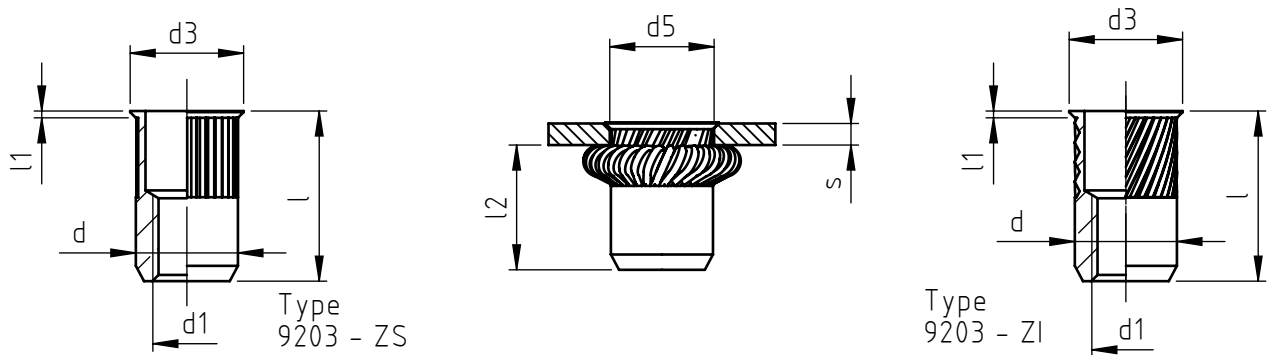


Application: metal and not metal sheets.
Assembly: with special hand or pneumatic tools.



code	steel	steel	stainless steel	s grip	l	d1 6H	d	d3	l1 ~	d5 0,15 0	l2 *
9203A/M 3/_Z_	8ZI	--	XZI	0,5 ÷ 2,0	9	M 3	5	5,5	0,35	5	6
9203B/M 3/_Z_	8ZI	--	XZI	2,0 ÷ 3,5	10,5						
9203A/M 4/_Z_	8ZI	8ZS	XZI	0,5 ÷ 2,0	10	M 4	6	6,75	0,5	6	6,5
9203B/M 4/_Z_	8ZI	8ZS	XZI	2,0 ÷ 4,0	12						
9203A/M 5/_Z_	8ZI	8ZS	XZI	0,5 ÷ 2,5	12	M 5	7	8	0,6	7	7
9203B/M 5/_Z_	8ZI	8ZS	XZI	2,5 ÷ 4,5	14						
9203A/M 6/_Z_	8ZI	8ZS	XZI	0,5 ÷ 3,0	15	M 6	9	10	0,6	9	9,5
9203B/M 6/_Z_	8ZI	8ZS	XZI	3,0 ÷ 5,5	17,5						
9203A/M 8/_Z_	8ZI	8ZS	XZI	0,5 ÷ 3,5	16	M 8	11	12	0,6	11	9,5
9203B/M 8/_Z_	8ZI	8ZS	XZI	3,5 ÷ 6,0	18,5						
9203A/M10/_Z_	8ZI	--	XZI	0,5 ÷ 3,5	20	M10	13	14,5	0,85	13	12,5
9203B/M10/_Z_	8ZI	--	XZI	3,5 ÷ 6,0	22,5						
9203A/M12/_Z_	8ZI	--	XZI	0,5 ÷ 3,5	23	M12	15	16,5	0,85	15	16
9203B/M12/_Z_	8ZI	--	XZI	3,5 ÷ 6,5	26						

Non binding dimensions, expressed in mm.

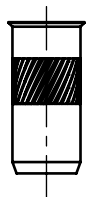
* Dimension determined from the average of the grip "s" min and max values.

For type B, the knurling might start under the head.

Standard

On demand

Not manufactured



Ref. UNI 9203 standard

Material: steel nr.1.0718
steel nr.1.0303
stainless steel nr.1.4305

Finishing: steel: white zinc-plated
stainless steel: natural

Tolerances: according to UNI standards EN 22768-1

Thread: ISO 6 H metric

Example: blind threaded nut, low profile head,
round knurled shank, stainless steel,
grip 2,0 mm, M 6 thread: 9203A/M 6/XZI

_____/_____/8ZI
_____/_____/8ZS
_____/_____/XZI

