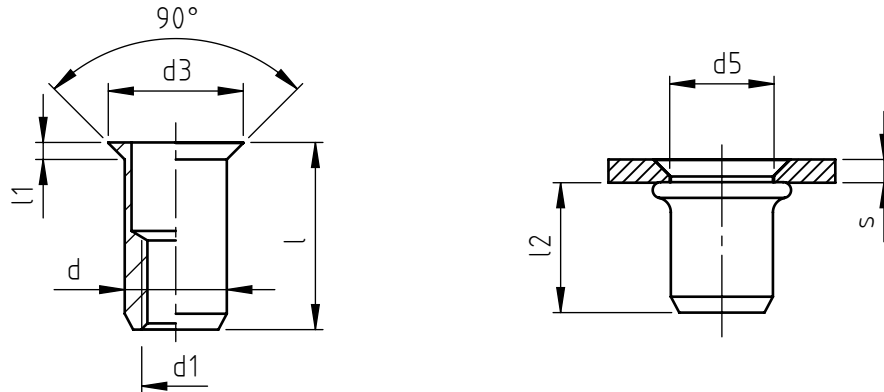


Application: metal and not metal sheets.  
Assembly: with special hand or pneumatic tools.



code	steel	stainless steel	s grip	l	d1 6H	d	d3	l1	d5 +0,15 / 0	l2 *
9202A/M 3/___	8	X	1,6 ÷ 3,5	10	M 3	5	8	1,5	5	5,5
9202B/M 3/___	8	X	3,5 ÷ 5,0	11,5						
9202A/M 4/___	8	X	1,6 ÷ 3,5	11	M 4	6	9	1,5	6	6
9202B/M 4/___	8	X	3,5 ÷ 5,5	13						
9202A/M 5/___	8	X	1,6 ÷ 4,0	13	M 5	7	10	1,5	7	7,5
9202B/M 5/___	8	X	4,0 ÷ 6,0	15						
9202A/M 6/___	8	X	1,6 ÷ 4,5	16,5	M 6	9	12	1,5	9	11
9202B/M 6/___	8	X	4,5 ÷ 7,0	19						
9202A/M 8/___	8	X	1,6 ÷ 5,0	17,5	M 8	11	14	1,5	11	11
9202B/M 8/___	8	X	5,0 ÷ 7,5	20						
9202A/M10/___	8	X	1,6 ÷ 5,0	21	M10	13	16	1,5	13	14
9202B/M10/___	8	X	5,0 ÷ 7,5	23,5						
9202A/M12/___	8	X	1,6 ÷ 5,0	24,5	M12	15	18	1,5	15	17,5
9202B/M12/___	8	X	5,0 ÷ 8,0	27,5						

Non binding dimensions, expressed in mm.  
× Dimension determined from the average of the grip "s" min and max values.

Standard     
  On demand     
  Not manufactured

Ref. UNI 9202 standard

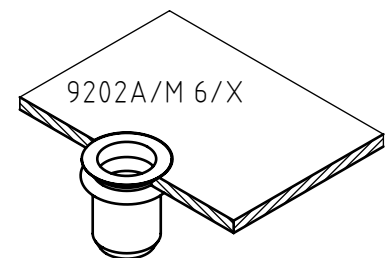
Material: steel nr. 1.0718  
 stainless steel nr. 1.4305  
 Finishing: steel: white zinc-plated  
 stainless steel: natural

Tolerances: according to UNI standards EN 22768-1

Thread: ISO 6 H metric

Example: blind threaded nut, countersunk head,  
 round shank, stainless steel,  
 grip 2,0 mm, M 6 thread: 9202A/M 6/X

\_\_\_ / \_\_\_ / 8  
 \_\_\_ / \_\_\_ / X



SPECIALINSERT® COMMITS ITSELF TO CONTINUOUSLY IMPROVE ITS PRODUCTS. IT RESERVES THE RIGHT TO CHANGE THEIR TECHNICAL AND STRUCTURAL CHARACTERISTICS WITHOUT PRIOR NOTICE. ALL RIGHTS ARE RESERVED AND THE DUPLICATION, EVEN PARTIAL, OF THESE DOCUMENTS, AS WELL AS ITS DISTRIBUTION TO THIRD PARTIES ARE FORBIDDEN, UNLESS OTHERWISE AND EXPRESSLY AUTHORIZED BY SPECIALINSERT.