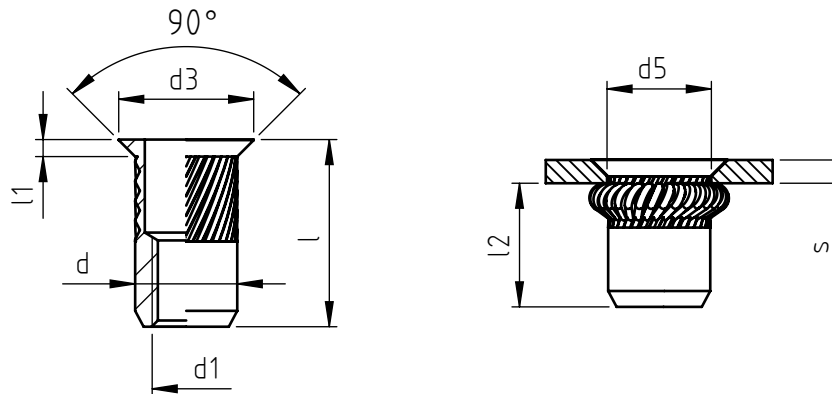


Application: on boxed and tubular sections, on sheet-metal and non-metal sheets.  
Assembly: by specific manual, pneumatic, oleopneumatic or electric tools.



code	material		s grip range	l	d1 6H	d	d3	l1	d5 +0,15 0	l2 *	UNI reference
9202A/M 3/ _Z_	8ZI	XZI	1,6 ÷ 3,5	10	M 3	5	8	1,5	5	5,5	11968/02 A/M 3/ _
9202B/M 3/ _Z_	8ZI	XZI	3,5 ÷ 5,0	11,5							11968/02 B/M 3/ _
9202A/M 4/ _Z_	8ZI	XZI	1,6 ÷ 3,5	11	M 4	6	9	1,5	6	6	11968/02 A/M 4/ _
9202B/M 4/ _Z_	8ZI	XZI	3,5 ÷ 5,5	13							11968/02 B/M 4/ _
9202A/M 5/ _Z_	8ZI	XZI	1,6 ÷ 4,0	13	M 5	7	10	1,5	7	7,5	11968/02 A/M 5/ _
9202B/M 5/ _Z_	8ZI	XZI	4,0 ÷ 6,0	15							11968/02 B/M 5/ _
9202A/M 6/ _Z_	8ZI	XZI	1,6 ÷ 4,5	16,5	M 6	9	12	1,5	9	11	11968/02 A/M 6/ _
9202B/M 6/ _Z_	8ZI	XZI	4,5 ÷ 7,0	19							11968/02 B/M 6/ _
9202A/M 8/ _Z_	8ZI	XZI	1,6 ÷ 5,0	17,5	M 8	11	14	1,5	11	11	11968/02 A/M 8/ _
9202B/M 8/ _Z_	8ZI	XZI	5,0 ÷ 7,5	20							11968/02 B/M 8/ _
9202A/M10/ _Z_	8ZI	XZI	1,6 ÷ 5,0	21	M10	13	16	1,5	13	14	11968/02 A/M 10/ _
9202B/M10/ _Z_	8ZI	XZI	5,0 ÷ 7,5	23,5							11968/02 B/M 10/ _
9202A/M12/ _Z_	8ZI	XZI	1,6 ÷ 5,0	24,5	M12	15	18	1,5	15	17,5	11968/02 A/M 12/ _
9202B/M12/ _Z_	8ZI	XZI	5,0 ÷ 8,0	27,5							11968/02 B/M 12/ _

Non binding dimensions, expressed in mm.

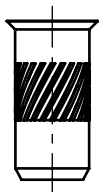
\* Dimension measured on average thickness. Variable according to "s" dimension.

In type B, knurling part might be detached from the head.

Standard

On demand

Not manufactured



Standard ref.: UNI 11968

Material: steel nr.1.0718  
stainless steel nr.1.4305

Finishing: steel: white zinc-plated  
stainless steel: natural

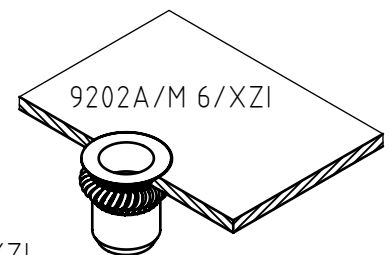
Tolerances: according to UNI standards EN 22768-1

Thread: ISO 6 H metric

Example: threaded tubular rivet nut, countersunk head,  
round knurled shank, stainless steel,  
grip 2,0 mm, M 6 thread:

9202A/M 6/XZI - UNI reference 11968/02A/M 6/XZI

\_\_\_ / \_\_\_ / 8ZI  
\_\_\_ / \_\_\_ / XZI



SPECIALINSERT COMMITS ITSELF TO CONTINUOUSLY IMPROVE ITS PRODUCTS. IT RESERVES THE RIGHT TO CHANGE THEIR TECHNICAL AND STRUCTURAL CHARACTERISTICS WITHOUT PRIOR NOTICE. ALL RIGHTS ARE RESERVED AND THE DUPLICATION, EVEN PARTIAL, OF THESE DOCUMENTS, AS WELL AS ITS DISTRIBUTION TO THIRD PARTIES ARE FORBIDDEN, UNLESS OTHERWISE AND EXPRESSLY AUTHORIZED BY SPECIALINSERT.