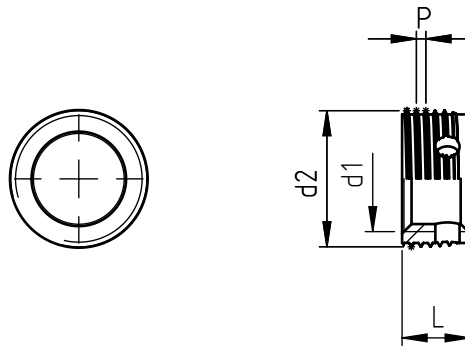


Applications: for damaged spark plug seats.
Assembly: by special equipment.



code	internal thread			external thread		length	∅ hole
	d1	P	DIN	d2	P	L	(*)
304 0140.16	14	1,25	72502	17,7	1,25	9	17,0
304 0141.16	14	1,25	72502	17,7	1,25	15	17,0
304 0180.16	18	1,5	72501	21,7	1,25	9	21,0

Non binding dimensions, expressed in mm.

Reference values for normal applications.

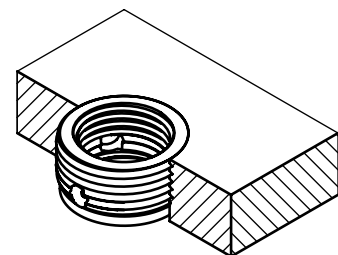
* Differences depending on the strength of the alloy tested ± 0.1 mm.

 Standard

 On demand

 Not manufactured

Material: steel
Finishing: zinc-plated
Example: spark plug insert with internal
thread M 14x1,25mm, length 9 mm,
zinc-plated steel:
304 0140.16



SPECIALINSERT® COMMITS ITSELF TO CONTINUOUSLY IMPROVE ITS PRODUCTS. IT RESERVES THE RIGHT TO CHANGE THEIR TECHNICAL AND STRUCTURAL CHARACTERISTICS WITHOUT PRIOR NOTICE. ALL RIGHTS ARE RESERVED AND THE DUPLICATION, EVEN PARTIAL, OF THESE DOCUMENTS, AS WELL AS ITS DISTRIBUTION TO THIRD PARTIES, ARE FORBIDDEN, UNLESS OTHERWISE AND EXPRESSLY AUTHORIZED BY SPECIALINSERT.