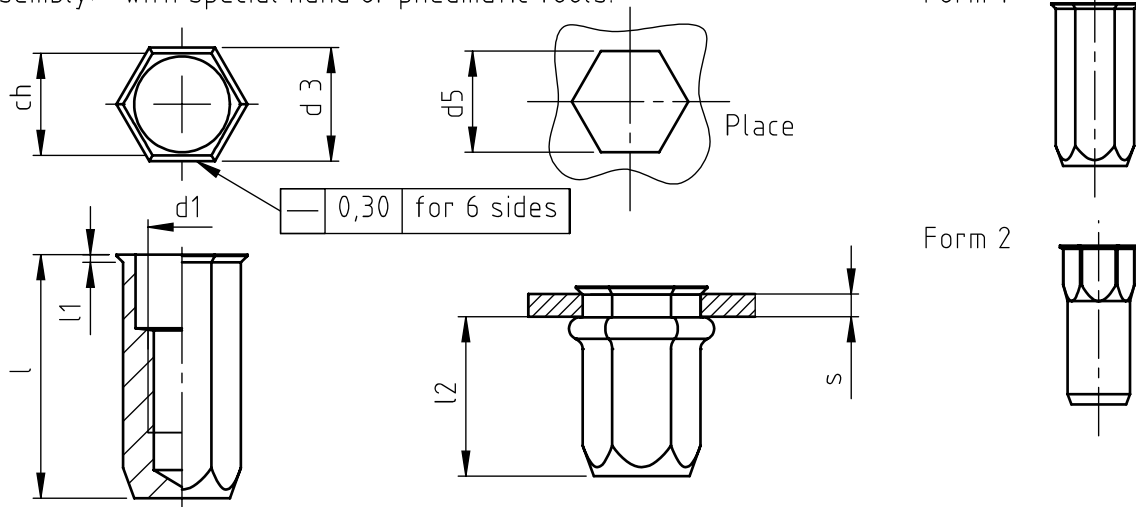


Application: metal and not metal sheets.
Assembly: with special hand or pneumatic tools.



code	steel	stainless steel	s grip	l	d1 6H	ch	d3	l1 ~	d5 +0,15 / 0	l2 *
**10445A1/M 3/ _	8	--	0,5 ÷ 2,0	12,5	M 3	5	5,75	0,4	5	9,5
**10445B1/M 3/ _	8	--	2,0 ÷ 3,5	14						
10445A1/M 4/ _	8	X	0,5 ÷ 2,0	14,5	M 4	6	6,75	0,5	6	11
10445B1/M 4/ _	8	X	2,0 ÷ 4,0	16,5						
10445A1/M 5/ _	8	X	0,5 ÷ 2,5	18	M 5	7	8	0,6	7	12,5
10445B1/M 5/ _	8	X	2,5 ÷ 4,5	20						
10445A1/M 6/ _	8	X	0,5 ÷ 3,0	21,5	M 6	9	10	0,7	9	16
10445B1/M 6/ _	8	X	3,0 ÷ 5,5	24						
10445A1/M 8/ _	8	X	0,5 ÷ 3,5	25	M 8	11	12	0,7	11	17,5
10445B1/M 8/ _	8	X	3,5 ÷ 6,0	27,5						
10445A1/M10/ _	8	X	0,5 ÷ 3,5	30	M10	13	14,5	0,85	13	21,5
10445B1/M10/ _	8	X	3,5 ÷ 6,0	32,5						

Non binding dimensions, expressed in mm.

* Dimension determined from the average of the grip "s" min and max values.

** No UNI standard.

In versions stainless steel shank can be partially hexagonal,
Form 2 code 10445_2 / M_ / X

Standard
 On demand
 -- Not manufactured

Ref. UNI 10445 standard

Material: steel nr.10303 _____ / _____ /8
 stainless steel nr. 1.4567 _____ / _____ /X

Finishing: steel: white zinc-plated
 stainless steel: natural

Tolerances: according to UNI standards EN 22768-1

Thread: ISO 6 H metric

Example: blind threaded nut, low profile head,
 hexagonal close-end shank, steel,
 grip 2,0mm, M 6 thread: 10445A1/M 6/8

