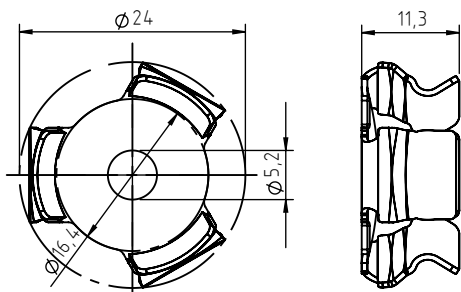


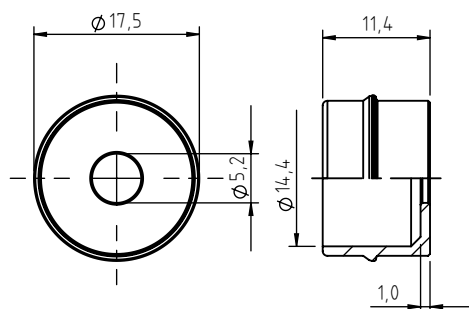
Applications: metal quick fastening system for panels and coverings by pressing, removal by panel traction

Assembly: on structure by screwing, gluing, riveting

Female



Male



code	material	extraction load
FC-01-FE.51	stainless steel 316	min 7kg
FC-01-FE.53	stainless steel 301	min 10kg

code	material
FC-01-MA.51	stainless steel 316
FC-01-MA.50	stainless steel 303

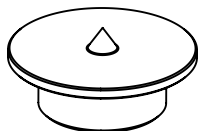
Values and dimensions are indicative and not binding - dimensions expressed in mm.

 Standard

 On demand

Accessories:

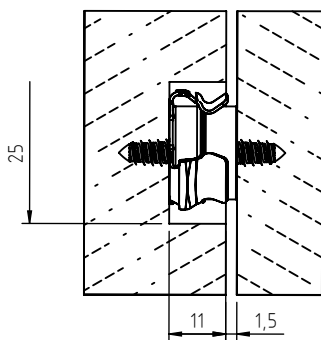
FC-00-CE.50 centering device



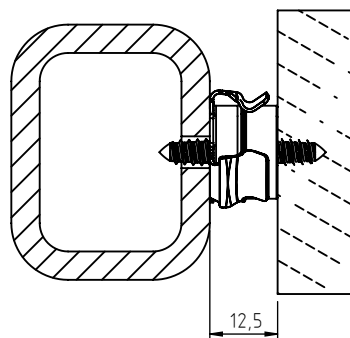
FC-00-LE.12 releave lever



Application example:
Built-in FAST-CON®



FAST-CON® flush installation



NOTA BENE: For installation guide, contact the Specialinsert® tech/sales office or refer to the catalogue at www.specialinsert.it/en

SPECIALINSERT® COMMITS ITSELF TO CONTINUOUSLY IMPROVE ITS PRODUCTS. IT RESERVES THE RIGHT TO CHANGE THEIR TECHNICAL AND STRUCTURAL CHARACTERISTICS WITHOUT PRIOR NOTICE. ALL RIGHTS ARE RESERVED AND THE DUPLICATE, EVEN PARTIAL OF THESE DOCUMENTS, AS WELL AS ITS DISTRIBUTION TO THIRD PARTIES ARE FORBIDDEN, UNLESS OTHERWISE AND EXPRESSLY AUTHORIZED BY SPECIALINSERT®.